

KWIK LOK 814 & 72 DISPENSERS Plus 826 and 861 Adapter Bracket Sets

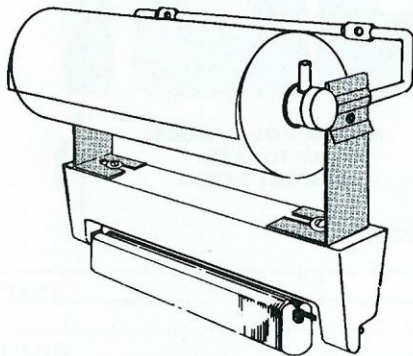


814 KWIK LOK DISPENSER

The Type 814 Dispenser is constructed of virtually unbreakable ABS plastic.

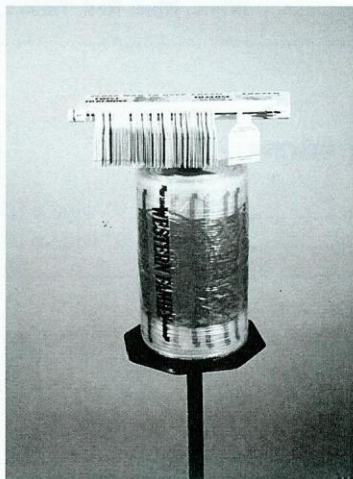
The Type 814-A can be mounted to any flat, clean surface using double-sided tape (provided).

The 814-B is used with 826 or 861 Adaptor Bracket Sets for installation on roll bag mounts.



826 ADAPTER BRACKET SET

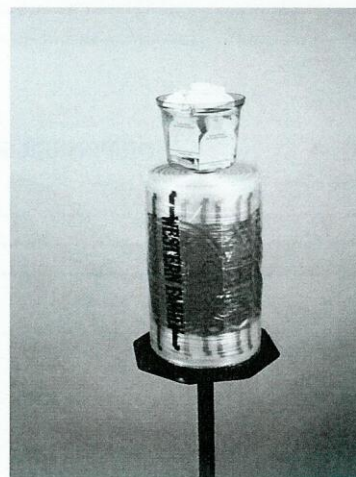
The 826 Adapter Bracket Set permits the 814 Dispenser to be installed on existing roll bag mounts. Two or four bolts (depending on roll bag mount) quickly secures the adapter bracket to the mount. Two self-tapping screws attach the dispenser to the brackets.



861 ADAPTER BRACKET SET

The 861 Adapter Bracket Set permits the 814 Dispenser to be mounted on Island Bag Stands.

The 861 fits stands with a 3/4" O.D. pipe; the 861-B fits stands with a 7/8" pipe.



72 DISPENSER

Closure-Labels can be placed loose in Kwik Lok's 72 Dispenser.

The 72 Dispenser uses either of the following: Series CB-2, MS-B2, or PS-B2