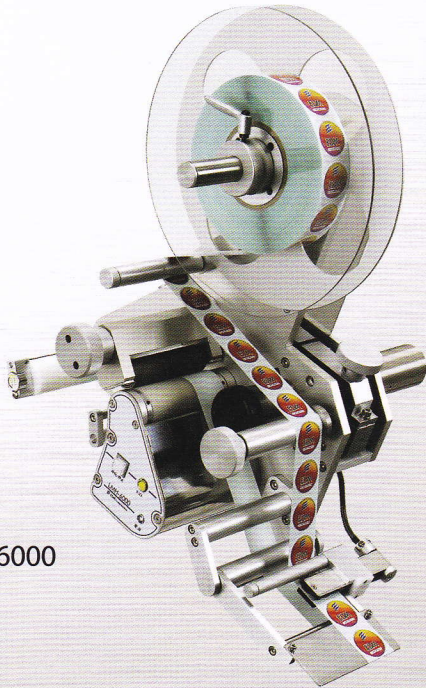
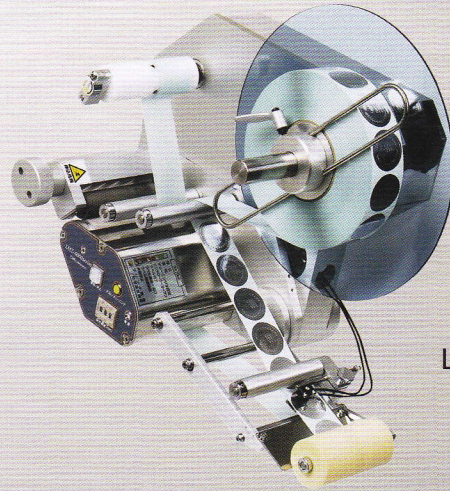


LM6000 series



LMH6000



LME6000

Realize Infinite Possibilities For Building Labeling System

There are two models for LM6000 series. One is high speed and high accuracy model and the other is standard model. The labeling units adopt module structure and it can meet various needs thanks to optional units.

LMH6000

High Speed And High Accuracy Model

Auto Speed Follow-up

It can be synchronized automatically with any variable speed by use of AC servo motor and encoder system.

High Speed And High Accuracy

Applying label at 40M/min speed. Labeling position can be set in increments of one millimeter.

Item Management

Stopping position and labeling position of each label can be controlled. Item change is easy by using color touch screen controller "EUI".

Compact Size

LMC6000 is compact size model. It has flexibility in installation place due to its compactness.

LME6000

Standard Model

All In One Body

It has a simple configuration. Control unit and operation unit are put into one machine body.

Auto Tuning

Label stopping position differs by the label length. Auto Tuning function can adjust the position automatically.

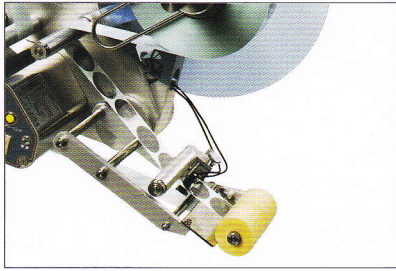
Automatic Speed Detect Function (Optional)

It can automatically detect the product speed without the encoder unit and can be installed into existing conveyer by bolt-on.

Labeling Method Variations

Roller Type

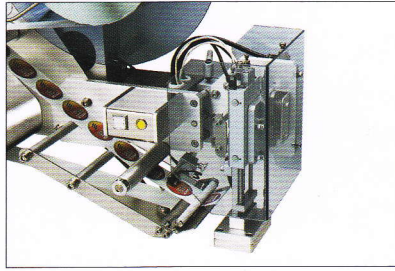
LM6000-N



General type of labeling method. It can label on products in motion without stopping. The structure is simple and equipment cost is economical.

Cylinder Type

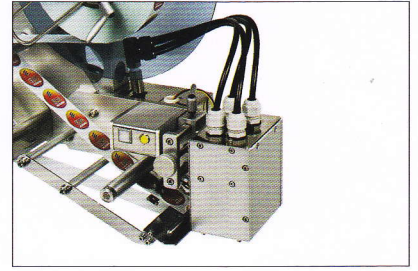
LM6000-A



Labeling by extending cylinder arm with label absorbing head. It labels when the product stops moving. It is suitable for jobs requiring accuracy in label position.

Air Blow Type

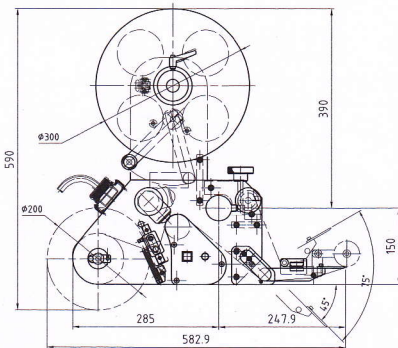
LM6000-B



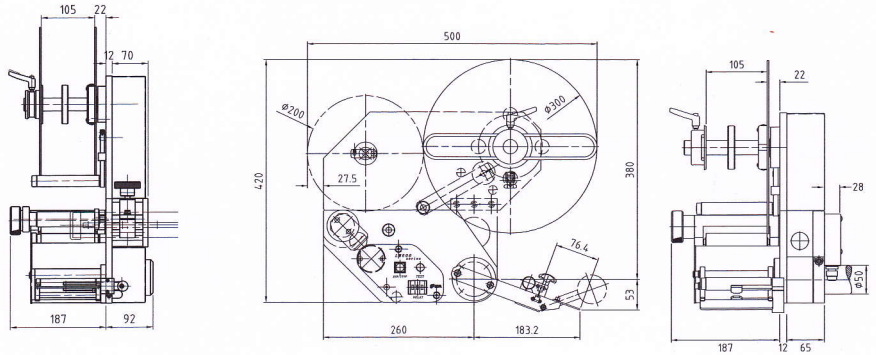
Labeling method is non-contact, air blow type. It can surely label on uneven or bumpy product surface.

Outline Dimensional Drawing

■ LMH6000



■ LME6000



SPECIFICATION

Model	LMH6000	LME6000
Drive Method	AC Servo Motor	Stepping Motor
Labeling Speed	1M/min - 40M/min	5M/min - 20.5M/min
Power Supply	AC200V, 1.3kVA	AC100V/200V, 80VA
Weight (Main Body)	15kg	15kg
Dimensions (mm)	582.9(W) - 590(H) - 279(D)	500(W) - 420(H) - 292(D)
Label Specification : Base Paper Width	18mm - 105mm	18mm - 105mm
: Label Length	15mm - 120mm	15mm - 150mm
: Maximum Roll Diameter	(O.D) ϕ 300mm	(O.D) ϕ 300mm
: Inside Diameter	(I.D) ϕ 75mm	(I.D) ϕ 75mm
Operating Environment	Temperature : 5°C-45°C Humidity : Under 90%RH (no dew condensation)	

The specification may differ from conditions of use. Specification and other information are subject to change without notice.